

# Setting up your Dolby Digital Sound is easy.

Use your interactive programming guide to access Dolby Digital 5.1. Set up is easy with your surround sound equipment. Simply follow these easy steps to enable Dolby Digital 5.1 on your digital receiver:

1. Confirm setup of your Dolby Digital enabled home theatre equipment using SPDIF and RCA cables (not provided). See reference diagram on back for setup instructions.
2. Press the "MENU" button on your remote control to display the main menu.
3. Using the arrow keys, cursor over until "SETUP" is highlighted and press "OK".
4. Again using the arrow keys, cursor down until "AUDIO" is highlighted and press "OK".
5. In the AUDIO SETUP screen, cursor down to the "ON/OFF" button beside the Dolby Indicator. It should be set to "OFF" – cursor to the right so "ON" is displayed and highlighted. Press "OK" and then press "EXIT".
6. Press the info button on your DCT2000 remote control to confirm that Dolby Digital is check marked on the Prevue Guide display.

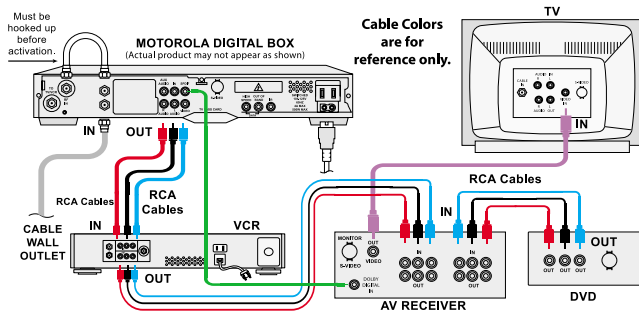
See over for the AUDIO SETUP diagram.

\*Note not all DCT2000 units are equipped with a SPDIF port. Cogeco is not responsible for the replacement of DCT2000 units without SPDIF port. Dolby 5.1 is not available on the DCT1700 or DCT1800 units.



Life's just better with cable

# Dolby Digital 5.1 Set Up



**Do not connect a VCR or game device in front of your Motorola Digital Box.  
Doing this may cause your digital terminal to fail.**

## QUICK TIPS

1. To determine if the program you are watching is being broadcast in Dolby Digital 5.1 press "OK" on your DCT2000 remote. Dolby Digital 5.1 will be indicated in the flip bar if the program is being broadcast in this format.
2. Only programs broadcast in Dolby Digital 5.1 will indicate DD5.1 in the Prevue Guide flip bar. All other audio will indicate Dolby Digital only.
3. Recording to a VCR while Dolby Digital 5.1 is activated on your DCT2000 will cause the program to be recorded without audio as VCRs do not support Dolby Digital 5.1 audio.
4. Note channels broadcast from 901 and up will not be available in Dolby Digital 5.1 audio.